

OUTSWING FRENCH DOOR

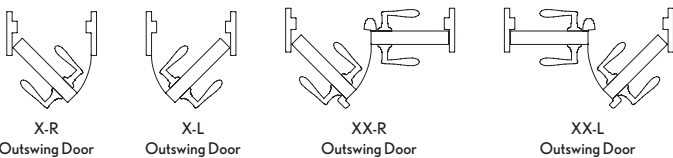
INTEGRITY® FROM MARVIN®
WOOD-ULTREX® SERIES

Outswing French Doors

| MO (mm) | 2-6 13/16 (783) | 2-8 13/16 (834) | 3-0 13/16 (935) |
|---|-----------------|-----------------|-----------------|
| RO (mm) | 2-7 5/16 (796) | 2-9 5/16 (846) | 3-1 5/16 (948) |
| Frame Size (mm) | 2-6 5/16 (770) | 2-8 5/16 (821) | 3-0 5/16 (923) |
| DLO (mm) | 2111/32 (542) | 23 11/32 (593) | 27 11/32 (695) |
| 6-7 3/4 (2026) 6-8 (2032) 6-7 1/2 (2019) 6-7 3/32 (1704) | | | |
| | | | |
| | | | |
| 6-10 1/4 (2089) 6-10 1/2 (2096) 6-10 (2083) 6-9 19/32 (1768) | | | |
| | | | |
| | | | |
| 7-2 1/4 (2191) 7-2 1/2 (2197) 7-2 (2184) 7-3 19/32 (1869) | | | |
| | | | |
| | | | |
| 7-11 3/4 (2432) 8-0 (2438) 7-11 1/2 (2426) 8-3 3/32 (2111) | | | |
| | | | |
| | | | |

Outswing Door Operation

X signifies an operating door panel, O means stationary. Listing the panels in a door starts from the left to the right, looking from the exterior.



Details and Elevations not to scale.

O = Stationary X = Operator
L = Left Hand Panel R = Right Hand Panel

Optional Outswing French Door Grilles, GBGs, SDLs and SDLs with Spacer Bar are available in a standard Rectangular cut, as shown. Other available lite cuts on page 49.

Transom units have a 2" jamb extension for 6 9/16" jambs or a 2 1/4" jamb extension for 6 13/16" jambs. When ordering 6 9/16" or 6 13/16" jambs, add 1/4" to width and 1/8" to height of Frame Size (FS), Rough Opening (RO), or Masonry Opening (MO).

Outswing French Door Direct Glaze Transoms

| MO (mm) | 3-0 13/16 (935) | 5-11 1/2 (1816) | 8-11 13/16 (2738) |
|--|-----------------|-----------------|-------------------|
| RO (mm) | 3-1 5/16 (948) | 6-0 (1829) | 9-0 5/16 (2751) |
| Frame Size (mm) | 3-0 5/16 (923) | 5-11 (1803) | 8-11 5/16 (2726) |
| DLO (mm) | 3115/16 (811) | 66 5/8 (1692) | 102 15/16 (2615) |
| 1-4 (406) 1-4 1/4 (413) 1-3 3/4 (400) 1-3 7/8 (289) | | | |

OUTSWING FRENCH DOOR

Outswing French Doors

| | | | |
|------------------------|----------------|----------------|----------------|
| MO (mm) | 4-11/2 (1511) | 5-3 1/2 (1613) | 5-11/2 (1816) |
| RO (mm) | 5-0 (1524) | 5-4 (1626) | 6-0 (1829) |
| Frame Size (mm) | 4-11 (1499) | 5-3 (1600) | 5-11 (1803) |
| DLO (mm) | 21 11/32 (542) | 23 11/32 (593) | 27 11/32 (695) |

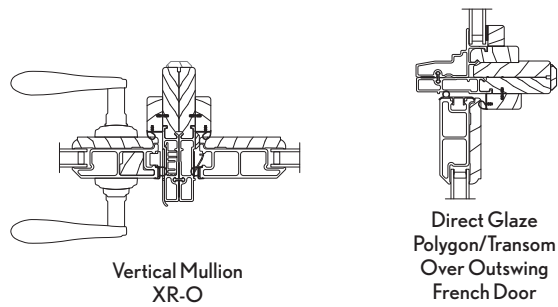
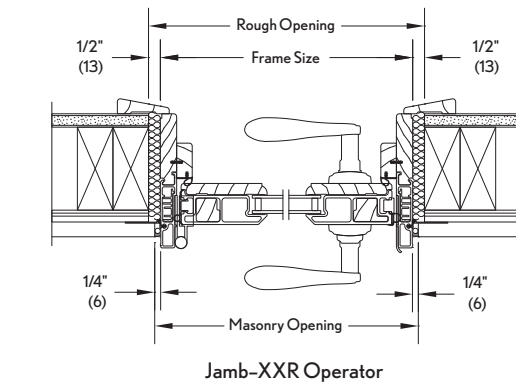
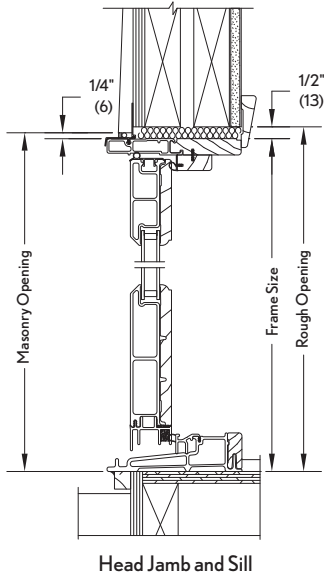
| | | | |
|--|---------------|---------------|---------------|
| <p>6-7 3/4 (2026) 6-8 (2032) 6-7 1/2 (2019) 67 3/32 (1704)</p> | | | |
| | IOFD 5065 XXL | IOFD 5465 XXL | IOFD 6065 XXL |
| <p>6-10 1/4 (2089) 6-10 1/2 (2096) 6-10 (2083) 69 19/32 (1768)</p> | | | |
| | IOFD 5068 XXL | IOFD 5468 XXL | IOFD 6068 XXL |
| <p>7-2 1/4 (2191) 7-2 1/2 (2197) 7-2 (2184) 73 19/32 (1869)</p> | | | |
| | IOFD 5070 XXL | IOFD 5470 XXL | IOFD 6070 XXL |
| <p>7-11 3/4 (2432) 8-0 (2438) 7-11 1/2 (2426) 83 3/32 (2111)</p> | | | |
| | IOFD 5080 XXL | IOFD 5480 XXL | IOFD 6080 XXL |

Multiple Assemblies - 2 Panel

| | | |
|------------------------|----------------|----------------|
| MO (mm) | 5-1/8 (1553) | 6-1/8 (1857) |
| RO (mm) | 5-1 5/8 (1565) | 6-1 5/8 (1870) |
| Frame Size (mm) | 5-0 5/8 (1540) | 6-0 5/8 (1845) |

| | | |
|--|----------------------|----------------------|
| <p>6-7 3/4 (2026) 6-8 (2032) 6-7 1/2 (2019)</p> | | |
| | IOFD2665 / IOFD2665* | IOFD3065 / IOFD3065* |
| <p>6-10 1/4 (2089) 6-10 1/2 (2096) 6-10 (2083)</p> | | |
| | IOFD2668 / IOFD2668* | IOFD3068 / IOFD3068* |
| <p>7-11 3/4 (2432) 8-0 (2438) 7-11 1/2 (2426)</p> | | |
| | IOFD2680 / IOFD2680* | IOFD3080 / IOFD3080* |

Construction Details



* 2 panel mullied assembly

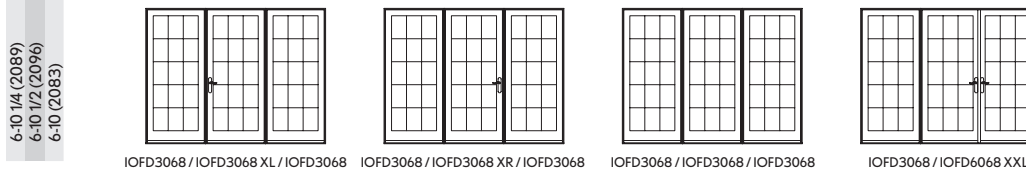
OUTSWING FRENCH DOOR

Multiple Assemblies - 3 Panel

| | | | | |
|------------------------|------------------|------------------|------------------|------------------|
| MO (mm) | 7-7 7/16 (2323) | 7-7 7/16 (2323) | 7-7 7/16 (2323) | 7-5 13/16 (2281) |
| RO (mm) | 7-7 15/16 (2335) | 7-7 15/16 (2335) | 7-7 15/16 (2335) | 7-6 5/16 (2294) |
| Frame Size (mm) | 7-6 15/16 (2310) | 7-6 15/16 (2310) | 7-6 15/16 (2310) | 7-5 5/16 (2269) |

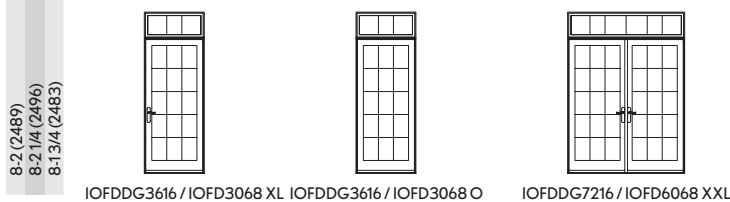


| | | | | |
|------------------------|------------------|------------------|------------------|-------------------|
| MO (mm) | 9-1 7/16 (2780) | 9-1 7/16 (2780) | 9-1 7/16 (2780) | 8-11 13/16 (2738) |
| RO (mm) | 9-1 15/16 (2792) | 9-1 15/16 (2792) | 9-1 15/16 (2792) | 9-0 5/16 (2751) |
| Frame Size (mm) | 9-0 15/16 (2767) | 9-0 15/16 (2767) | 9-0 15/16 (2767) | 8-11 5/16 (2726) |



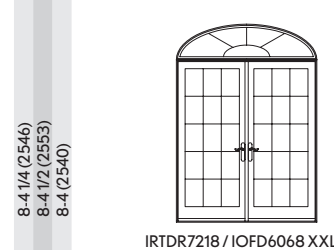
Direct Glaze Transom Over Outswing French Door

| | | | |
|------------------------|-----------------|-----------------|-----------------|
| MO (mm) | 3-0 13/16 (935) | 3-0 13/16 (935) | 5-11 1/2 (1816) |
| RO (mm) | 3-1 5/16 (948) | 3-1 5/16 (948) | 6-0 (1829) |
| Frame Size (mm) | 3-0 5/16 (923) | 3-0 5/16 (923) | 5-11 (1803) |



Round Top Over Outswing French Door

| | |
|------------------------|-----------------|
| MO (mm) | 5-11 1/2 (1816) |
| RO (mm) | 6-0 (1829) |
| Frame Size (mm) | 5-11 (1803) |



MULTIPLE ASSEMBLIES

Multiple assembly units can be factory mulled up to 3 units wide by 1 unit high, Maximum Rough Opening not to exceed 109 15/16" x 96"; or 2 units wide by 2 units high, maximum Rough Opening not to exceed 73 5/8" x 100 1/2". Field mull kits available for up to 3 units wide by 2 units high not to exceed 110" x 112". True Half Round transoms are available field mulled only. Structural mullion reinforcement is required for some assemblies. Please consult your local Integrity from Marvin representative for more information.

Details and Elevations not to scale.

O = Stationary X = Operator
L = Left Hand Panel R = Right Hand Panel

* 2 and 3 panel XX configurations also available in XX R.

** This product is only available field mulled.

Transom units have a 2" jamb extension for 6 9/16" jambs or a 2 1/4" jamb extension for 6 13/16" jambs. When ordering 6 9/16" or 6 13/16" jambs, add 1/4" to width and 1/8" to height of Frame Size (FS), Rough Opening (RO), or Masonry Opening (MO).

Optional Direct Glaze transom Grilles, GBGs, SDLs and SDLs with Spacer Bar are available in a standard Rectangular cut, as shown. Alternate transom lite cuts available to align with select lite cut options shown on page 49.

Optional Round Top SDL/Grilles and SDL with Spacer Bar are available in a standard cut, as shown. Round Top GBG cuts are shown on page 81. (Round Top divided lites only available in standard lite cut.)

