

CHAPTER 10

INTEGRITY WOOD-ULTREX SLIDING FRENCH DOOR

Unit Features	10.2
Minimum and Maximum Guidelines and Certified Sizes	10.3
Egress, Lite, and Vent Measurements.	10.4
Egress Conversions.	10.5
Clear Opening Measurements	10.6
Conversion Tables	10.7
Mulling Guidelines	10.8
Standard Size Chart	10.9
Elevations 2 Panel Doors	10.10
Elevations 3 Panel Doors	10.11
Elevations 4 Panel Doors	10.12
Elevations Transoms	10.13
Section Details - 2 and 3 Panel - 4 9/16" Jambes	10.14
Section Details - 2 and 3 Panel - 6 9/16" Jambes	10.15
Section Details - 4 Panel - 4 9/16" Jambes	10.16
Section Details - 4 Panel - 6 9/16" Jambes	10.18
Section Details - 4 9/16" Jambes - Impact Glazing	10.20
Section Details - 6 9/16" Jambes - Impact Glazing	10.22
Section Details - Direct Glaze Transoms and Mullions	10.23
Divided Lite Options	10.24
Available Divided Lite Patterns	10.25
Installation Suggestions	10.26

ATTENTION:

- Specifications and technical data are subject to change without notice.
- Number in parentheses () following measurements are the metric equivalents in millimeters rounded to the nearest whole number
- Allow 1/16" (2) tolerance on all measurements.
- Optional interior casing for round top units and interior mullion trim are shipped loose for field installation.
- For answers to technical questions about Integrity products you may call our Integrity Support Line: 1-800-587-2712.
- Website: www.marvin.com

UNIT FEATURES

FRAME AND PANEL:

The frame and panel exteriors are made of Ultrex[®], an advanced fiber reinforced material that is resistant to thermal conductance. Ultrex patented coating system meets all the requirements of AAMA 624-10. Exterior colors: Stone White, Pebble Gray, Bronze, Evergreen, Cashmere, or Ebony. The interior is non finger-jointed pine, kiln-dried to a moisture content of 6-12% at time of fabrication. Water-repellant, preservative treated in accordance with WDMA I.S.4. Interior wood is available as pine bare wood or factory-applied white interior finish.

FRAME:

Frame thickness is 1 5/16" (33) for 2 and 3 panel doors. Frame thickness for 4 panel door is 1 5/16" (33). Frame width of 4 9/16" (116). 4/4 non finger-jointed pine interior stop is applied to all units. Sill height is 2 9/32" (58) high by 5 11/16" (144) deep for the 2 and 3 panel doors. Height for 4 panel door is 2 1/8" (54) high by 6 1/16" (154) deep. Interior sill liner can be oak or ash.

PANEL:

Composite sash thickness of 1 3/4" (44), stiles and top rails 3 5/8" (92), bottom rail width 6" (152). Ultrex is .110" (3) thick. Two astragals are utilized on the impact unit and four astragals are utilized on 4 panel units with a frame height greater than 86" (2184). One on each interior operating panel and one on each exterior stationary panel. Astragals are structural members of the panel providing stiffness for the meeting stiles.

JAMB EXTENSION:

6 9/16" (167) and 6 13/16" (173) jamb extension available factory-applied or in lineal lengths for field application. Assemblies with 6 9/16" or 6 13/16" jamb extensions add 1/4" (6) to the width and 1/8" (3) to the height of Rough Opening.

HARDWARE:

Multi-point lock with keyed cylinder. The lock assembly and keeper feature a two point opposing engagement providing tamper prevention. An anti-slam pin is standard to prevent locking when the door is open. Handle set: interior and exterior selected separately. Standard finish is Almond Frost. Optional finish: White, Brass, Satin Nickel, and Oil Rubbed Bronze. Brass, Oil Rubbed Bronze, and Satin Nickel finishes are lacquered. Optional Coastal Hardware is available on both Non-Impact and Impact products, excluding 4 panel doors. The Coastal Hardware option does not include handle sets. Coastal Grade finish is featured on handle sets with a Brass PVD finish and is available in oil rubbed bronze, satin nickel, and brass. Top and bottom flush bolt assemblies secure the secondary operator panel in the closed position on OXXO doors. Ensures secondary panel is fully closed allowing primary panel to lock to the secondary panel and to be engaged prior to locking the primary panel. The flush bolts are zinc die-cast and will be painted Pearl White.

INSTALLATION:

Factory-applied folding nailing fin and drip cap system. Optional installation brackets for masonry available. Factory supplied field mulling kits are available for standard assemblies. Impact units require installation clips.

GLAZING:

All units are manufactured with a 3/4" (19) Tempered Insulating Glass with Low E2, E3 and E1 coatings including argon gas fill. All glass is of a select quality complying with ASTM C 1036. Insulating glass is manufactured and tested to pass level ASTM E 2190 and is IGCC certified. The glazing seal is a silicone bedding on both interior and exterior surfaces utilized in a sandwich style sash. STC/OITC values are available for 3.1/3.1 standard glass. Optional 3.1/4.7 STC/OITC Upgrade glass is available. STC and OITC ratings are tested in accordance with ASTM E 90-09. See the Product Performance chapter for values.

IMPACT GLAZING:

Optional Impact Zone 3 available on selected sizes. Zone 3 for winds up to 140 miles per hour. Glass is laminated insulated Low E2 or E3 Argon, consisting of annealed or tempered glass exterior and laminated glass interior. The laminated glass is comprised of two pieces of glass with either a SGP or PVB laminate layer between. Interior and exterior glazing compound is silicone, in a sandwich style glazing system.

WEATHER STRIP:

All weather strip is beige color PVC standard. All units are constructed with weather strip at all panel perimeter joints. Jambs, head jamb, and 4 panel sills utilize a leaf-type weather strip. Santoprene sill weather strip is used to seal against the bottom rail and panel drip on 2 and 3 panel doors. The operator interlock uses full length leaf style weather strip, and the stationary interlock utilizes a bulb weather strip. For the 4 panel doors, an extruded bulb weather strip is secured to the secondary operator panel astragal and seals against the primary panel.

SCREEN:

Top-hung extruded aluminum screens are available as an option. One screen panel per operating panel. Aluminum metal to match exterior Ultrex color. Charcoal color fiberglass (non-corrosive) screen material. Includes all mounting and latching hardware. Non-handed.

REMOVABLE INTERIOR GRILLES:

Bar: 3/4" (19) wide bars. Pattern: Standard rectangular pattern. Available in pine bare wood or factory-applied white finish.

INTERIOR / EXTERIOR SIMULATED DIVIDED LITES (SDL):

Interior bar: 7/8" (22) wide bars. Pine bare wood or factory-applied white finish, to match interior. Exterior bar: Ultrex, 7/8" (22) wide bars, finish to match exterior. Pattern: Standard rectangular pattern, 9-lite per panel Prairie cut, 6-lite Prairie cut on transom or Cottage style cut.

GRILLES-BETWEEN-THE-GLASS (GBG):

11/16" (17) contoured aluminum bar placed between two panes of glass. Pattern: Standard rectangular pattern, 9-lite per panel Prairie cut, or 6-lite Prairie cut on transom. Exterior color determined by panel color. Interior Colors: White or Bronze. GBGs are not available with Impact glazed units.

EXTERIOR CASING:

Non-integral to the unit. Fastened to the exterior wall with barb and kerf 2" (51) brick mould available as a header and jamb surround. 3 1/2" (89) flat casing available as a header and jamb surround. Also available with 1" (25) ranch style header overhang.

MINIMUM and MAXIMUM GUIDELINES AND CERTIFIED SIZES

Minimum and Maximum Frame Size Guidelines								
Unit Type	Min Width		Min Height		Max Width		Max Height	
	in	mm	in	mm	in	mm	in	mm
2 - Panel Operator	59	(1499)	79 1/2	(2019)	95	(2413)	95 1/2	(2426)
3 - Panel Operator	88 1/2	(2248)	79 1/2	(2019)	106 1/2	(2705)	95 1/2	(2426)
4 - Panel Operator	117	(2972)	79 1/2	(2019)	189	(4801)	95 1/2	(2426)
Door Transom	59	(1499)	15 3/4	(400)	71	(1803)	15 3/4	(400)

NOTE: Special sizes are available in 1/64" increments, not to exceed the minimum or maximum listed above.

Product	Air Tested to psf	Water Tested to psf	Design Pressure psf	Certification Rating	Max Overall Width		Max Overall Height	
					inches	mm	inches	mm
Integrity Sliding French Door (XO/OX)	1.57	6.00	40	LC-PG40-SD	95	(2413)	82	(2083)
Integrity Sliding French Door (XO/OX)	1.57	4.60	30	LC-PG30-SD	95	(2413)	95 1/2	(2426)
Integrity Sliding French Door (OOX/OOX)	1.57	6.00	40	LC-PG40-SD	106 1/2	(2705)	95 1/2	(2426)
Integrity Sliding French Door (OXO)	1.57	6.00	40	LC-PG40-SD	106 1/2	(2705)	95 1/2	(2426)
Integrity Sliding French Door (OXXO)	1.57	4.60	30	LC-PG30-SD	189	(4801)	95 1/2	(2426)

EGRESS, LITE, AND VENT MEASUREMENTS

Net Clear Opening Wood Ultrex Sliding French Door			
Width			
Unit Type	Call Number	Net Clear Openings	
		ft-in	mm
2 Panel Operator (OX / XO)	5-0	1- 11 5/16	(592)
	6-0	2- 5 5/16	(745)
	8-0	3- 5 5/16	(1050)
3 Panel Operator (OXO, OOX, XOO)	7-6	1- 11 5/16	(592)
	9-0	2- 5 5/16	(745)
4 Panel Operator (For RO Heights Not Exceeding 86.5")	10-0	3- 10 11/16	(1186)
	12-0	4- 10 11/16	(1490)
	16-0	6- 10 11/16	(2100)
4 Panel Operator (For RO Heights Exceeding 86.5")	10-0	3- 8 23/32	(1136)
	12-0	4- 8 23/32	(1441)
	16-0	6- 8 23/32	(2051)
Height			
Unit Type	Call Number	Net Clear Openings	
		ft - in	mm
2 & 3 Panel Configurations	6-5	6- 3 3/32	(1908)
	6-8	6- 5 19/32	(1971)
	7-0	6- 9 19/32	(2073)
	8-0	7- 7 3/32	(2314)
4 Panel	6-5	6- 2 7/8	(1902)
	6-8	6- 5 3/8	(1965)
	7-0	6- 9 3/8	(2067)
	8-0	7- 6 7/8	(2308)

Net Clear Opening Wood-Ultrex Impact Sliding French Door			
Width			
Unit Type	Call Number	Net Clear Openings	
		ft-in	mm
2 Panel Operator (OX/XO)	5-0	1- 10 11/32	(568)
	6-0	2- 4 11/32	(720)
	8-0	3- 4 11/32	(1025)
Height			
Unit Type	Call Number	Net Clear Openings	
		ft-in	mm
All Height Configurations	6-5	6- 2 11/16	(1897)
	6-8	6- 5 3/16	(1961)
	7-0	6- 9 3/16	(2062)
	8-0	7- 6 11/16	(2304)

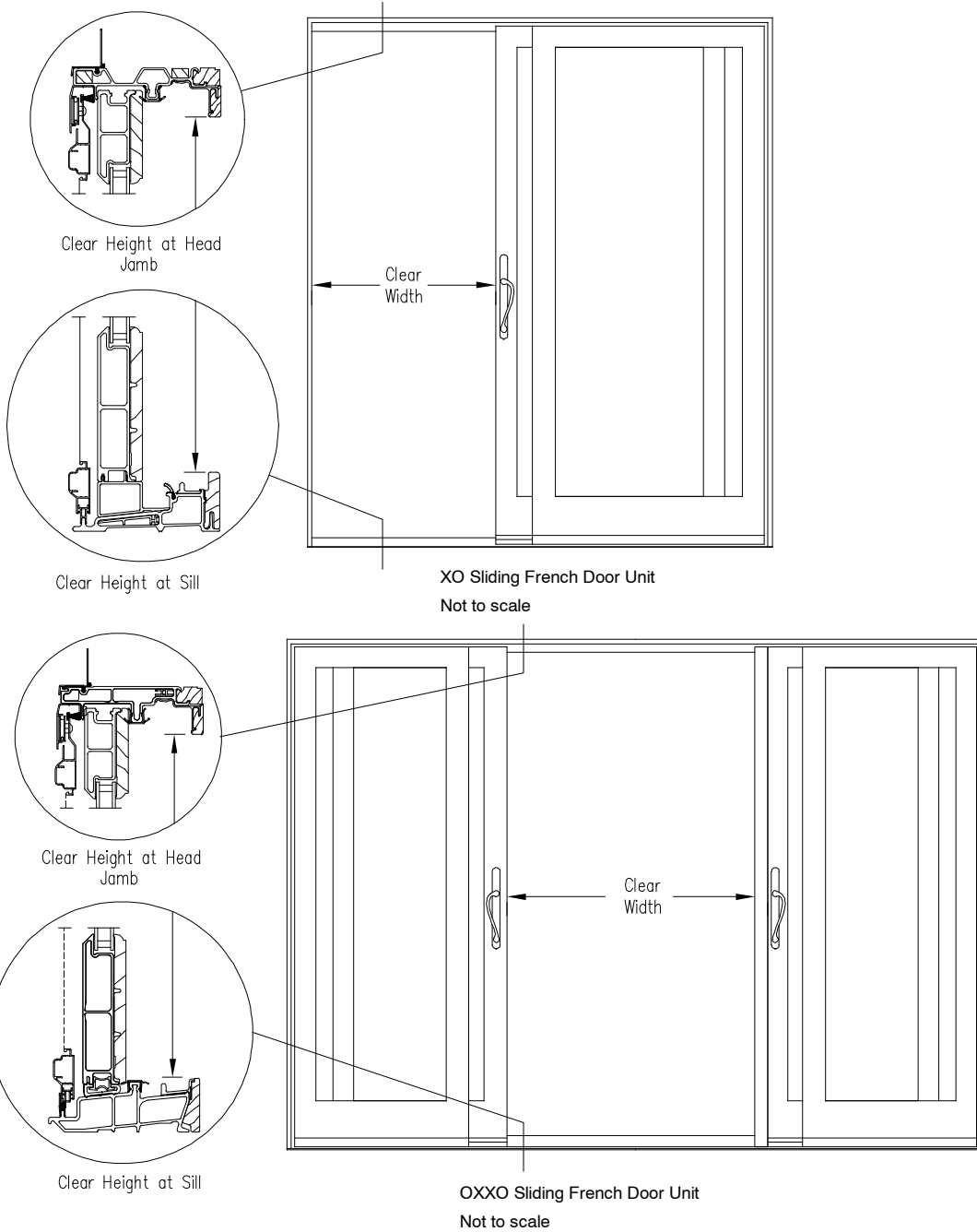
EGRESS CONVERSIONS

Egress Conversions		
Standard Sliding French Door		
Minimum Value for Net Clear Opening	Desired Dimension	Formula
32 in	Egress Opening Width, in	2 Panel
		= Frame OM Width - Panel Width - 6.056
		3 Panel
		= Frame OM Width - (Panel Width x 2) - 35.556
		4 Panel (RO Height <= 86.5")
		= Frame OM Width - (Panel Width x 2) - 11.071
		4 Panel (RO Height > 86.5")
= Frame OM Width - (Panel Width x 2) - 13.019		
78 in (IRC 2012) 80 in (IBC 2012)	Egress Opening Height, in	2 & 3 Panel
		= Frame OM Height - 4.4
		4 Panel
= Frame OM Height - 4.637		

Egress Conversions		
Impact Sliding French Door		
Minimum Value for Net Clear Opening	Desired Dimension	Formula
32 in	Egress Opening Width, in	= Frame OM Width - Panel Width - 7.026
78 in (IRC 2012) 80 in (IBC 2012)	Egress Opening Height, in	= Frame OM Height - 4.8

CLEAR OPENING MEASUREMENTS

EGRESS MEASUREMENTS



Code restrictions may vary depending on your local building codes. For additional information contact your local code department for IBC and IRC requirements.

CONVERSION TABLES
ROUGH OPENING TABLE FOR ASSEMBLIES

HEIGHT: Single unit Rough Opening height MINUS 1/2" (13) = Frame height.
 ADD all frame heights PLUS 1/2" (13) = Total Rough Opening Height.

NOTE: Assemblies with 6 9/16" (167) or 6 13/16" (173) jamb extensions add 1/4" (6) to width and 1/8" (3) to height of Rough Opening.

Unit Measurements - Stationary and Operating Panels		Width			Height	
From	To		in	mm	in	mm
Frame			in	mm	in	mm
Masonry Opening	Rough Opening		+ 1/2	(13)	+ 1/4	(6)
Masonry Opening w/BMC	Rough Opening		+ 1/2	(13)	+ 1/4	(6)
OM of Frame	Rough Opening		+1	(25)	+ 1/2	(13)
Glass			in	mm	in	mm
Daylight Opening	Glass		+1 3/16	(30)	+ 1 3/16	(30)
Daylight Opening	OM of Panel		+7 1/4	(184)	+ 9 5/8	(244)
2 Panel			in	mm	in	mm
OM of Frame	OM of Panel	+ 2	+ 1/8	(3)	- 2 25/32	(71)
Daylight Opening	Rough Opening	x 2	+15 1/4	(387)	+12 29/32	(328)
Daylight	OM of Screen		+6 13/16	(173)	+ 10 21/32	-(271)
3 Panel			in	mm	in	mm
OM of Frame	OM of Panel	+ 3	+ 1/8	(3)	- 2 25/32	(71)
Daylight Opening	Rough Opening	x 3	+22 3/8	(568)	+12 29/32	(328)
Daylight	OM of Screen		+6 13/16	(173)	+10 21/32	-(271)
4 Panel			in	mm	in	mm
OM of Frame	OM of Panel	+ 4	+ 3/8	(10)	- 2 25/32	(71)
Daylight Opening	Rough Opening	x 4	+28 1/2	(724)	+12 29/32	(328)
Daylight Opening	OM of Screen		+6 13/16	(173)	+9 61/64	-(271)
Transom			in	mm	in	mm
Daylight Opening	Glass		+1 9/16	(40)	+1 9/16	(40)
Daylight Opening	Frame		+4 3/8	(111)	+4 3/8	(111)
Daylight Opening	Rough Opening		+5 3/8	(137)	+4 7/8	(124)

MULLING GUIDELINES

Factory Mulling

The Wood- Ultrex Sliding French Door may be mulled to Direct Glaze Polygon, and Integrity Round Tops.

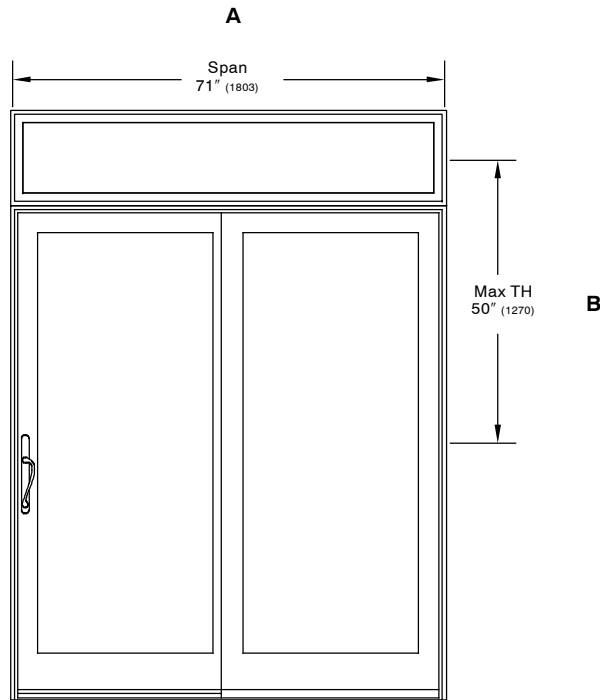
- Standard mull limits (all factory mulls)
 - Maximum Mullled Assembly RO Size
 - 1 unit wide x 2 units high – 72" (1829) x 100 1/2" (2553)
- Field Mulling beyond 110" (2794) x 112" (2845) is not recommended

Impact Certified Mull Limits: WDMA Hallmark certified to AAMA 450.

- If assemblies have individual units that have a lower design pressure than the mull; the entire assembly is rated at the lower design pressure.
- Mull certification includes 12" mull brackets fastened at all mull joints
- Items not included in certified mulls: standard mull assemblies, Integrity Round Tops

1 Directional Mull Limits				
Product	Max Span	Max TW or TH	Max R.O.	DP
WU Door Transom Horizontal Mulling IZ3	71" (1803)	50" (1270)	72" x 100 1/2" (1829) x (2553)	+55/- 55

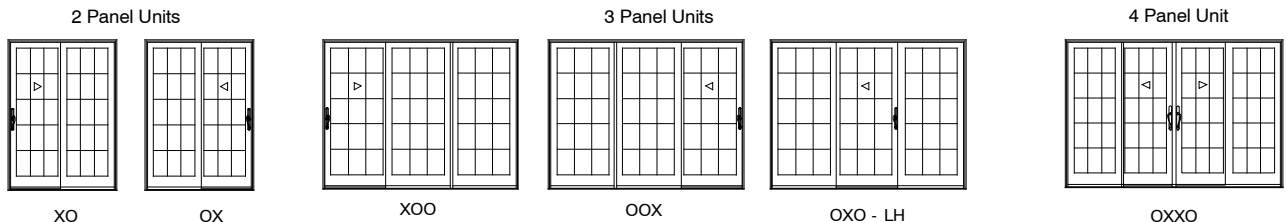
- Standard Mulls are not certified
- Limited to 1H or 1W only
- Assembly DP is lowest DP of mull or any product
- Stepped Mulls are not certified
- Tributary Width or Tributary Height = $1/2A + 1/2B$



STANDARD SIZE CHART

Standard Sliding French Unit Measurements											
Width											
Unit Type	Call Number	Masonry Opening		Rough Opening		Frame Size		Panel OM		Daylight Opening	
		ft - in	mm	ft - in	mm	ft - in	mm	ft-in	mm	ft - in	mm
2 Panel	5-0	4- 11 1/2	(1511)	5-0	(1524)	4- 11	(1499)	2- 5 5/8	(752)	1- 10 3/8	(568)
	6-0	5- 11 1/2	(1816)	6-0	(1829)	5- 11	(1803)	2- 11 5/8	(905)	2- 4 3/8	(721)
	8-0	7- 11 1/2	(2426)	8-0	(2438)	7- 11	(2413)	3- 11 5/8	(1210)	3- 4 3/8	(1026)
3 Panel	7-6	7-5	(2261)	7- 5 1/2	(2273)	7- 4 1/2	(2248)	2- 5 5/8	(752)	1- 10 3/8	(568)
	9-0	8- 11	(2718)	8- 11 1/2	(2731)	8- 10 1/2	(2705)	2- 11 5/8	(905)	2- 4 3/8	(721)
4 Panel	10-0	9- 9 1/2	(2985)	9- 10	(2997)	9- 9	(2972)	2- 5 5/8	(752)	1- 10 3/8	(568)
	12-0	11- 9 1/2	(3594)	11- 10	(3607)	11- 9	(3581)	2- 11 5/8	(905)	2- 4 3/8	(721)
	16-0	15- 9 1/2	(4813)	15- 10	(4826)	15- 9	(4801)	3- 11 5/8	(1210)	3- 4 3/8	(1026)
Height											
Unit Type	Call Number	Masonry Opening		Rough Opening		Frame Size		Panel OM		Daylight Opening	
		ft - in	mm	ft - in	mm	ft - in	mm	ft-in	mm	ft - in	mm
All Configurations	6-5	6- 7 3/4	(2026)	6-8	(2032)	6- 7 1/2	(2019)	6- 4 23/32	(1949)	5- 7 3/32	(1704)
	6-8	6- 10 1/4	(2089)	6- 10 1/2	(2096)	6- 10	(2083)	6- 7 7/32	(2012)	5- 9 19/32	(1768)
	7-0	7- 2 1/4	(2191)	7- 2 1/2	(2197)	7- 2	(2184)	6- 11 7/32	(2114)	6- 1 19/32	(1869)
	8-0	7- 11 3/4	(2432)	8-0	(2438)	7- 11 1/2	(2426)	7- 8 23/32	(2355)	6- 11 3/32	(2111)

OPERATION



O = Stationary Panel
 X = Operating Panel

Shown as a LH - also available as RH

Available in RH and LH configurations. Handing is determined by the location of the primary operator panel as viewed from exterior.

All units viewed from exterior.

ELEVATIONS 2 PANEL DOORS Not To Scale

M.O. R.O. A.S. 6-7 3/4 (2026) 6-8 (2032) 6-7 1/2 (2019)	4-11 1/2 (1511) 5-0 (1524) 4-11 (1499)	5-11 1/2 (1816) 6-0 (1829) 5-11 (1803)	7-11 1/2 (2426) 8-0 (2438) 7-11 (2413)
	ISFD 5065 XO	ISFD 6065 XO	ISFD 8065 XO
	4-11 1/2 (1511) 5-0 (1524) 4-11 (1499)	5-11 1/2 (1816) 6-0 (1829) 5-11 (1803)	7-11 1/2 (2426) 8-0 (2438) 7-11 (2413)
6-10 1/4 (2089) 6-10 1/2 (2086) 6-10 (2083)			
	ISFD 5068 XO	ISFD 6068 XO	ISFD 8068 XO
	4-11 1/2 (1511) 5-0 (1524) 4-11 (1499)	5-11 1/2 (1816) 6-0 (1829) 5-11 (1803)	7-11 1/2 (2426) 8-0 (2438) 7-11 (2413)
	4-11 1/2 (1511) 5-0 (1524) 4-11 (1499)	5-11 1/2 (1816) 6-0 (1829) 5-11 (1803)	7-11 1/2 (2426) 8-0 (2438) 7-11 (2413)
7-2 1/4 (2191) 7-2 1/2 (2197) 7-2 (2184)			
	ISFD 5070 XO	ISFD 6070 XO	ISFD 8070 XO
	4-11 1/2 (1511) 5-0 (1524) 4-11 (1499)	5-11 1/2 (1816) 6-0 (1829) 5-11 (1803)	7-11 1/2 (2426) 8-0 (2438) 7-11 (2413)
	4-11 1/2 (1511) 5-0 (1524) 4-11 (1499)	5-11 1/2 (1816) 6-0 (1829) 5-11 (1803)	7-11 1/2 (2426) 8-0 (2438) 7-11 (2413)
7-11 3/4 (2432) 8-0 (2438) 7-11 1/2 (2426)			
	ISFD 5080 XO	ISFD 6080 XO	ISFD 8080 XO
	4-11 1/2 (1511) 5-0 (1524) 4-11 (1499)	5-11 1/2 (1816) 6-0 (1829) 5-11 (1803)	7-11 1/2 (2426) 8-0 (2438) 7-11 (2413)
	4-11 1/2 (1511) 5-0 (1524) 4-11 (1499)	5-11 1/2 (1816) 6-0 (1829) 5-11 (1803)	7-11 1/2 (2426) 8-0 (2438) 7-11 (2413)

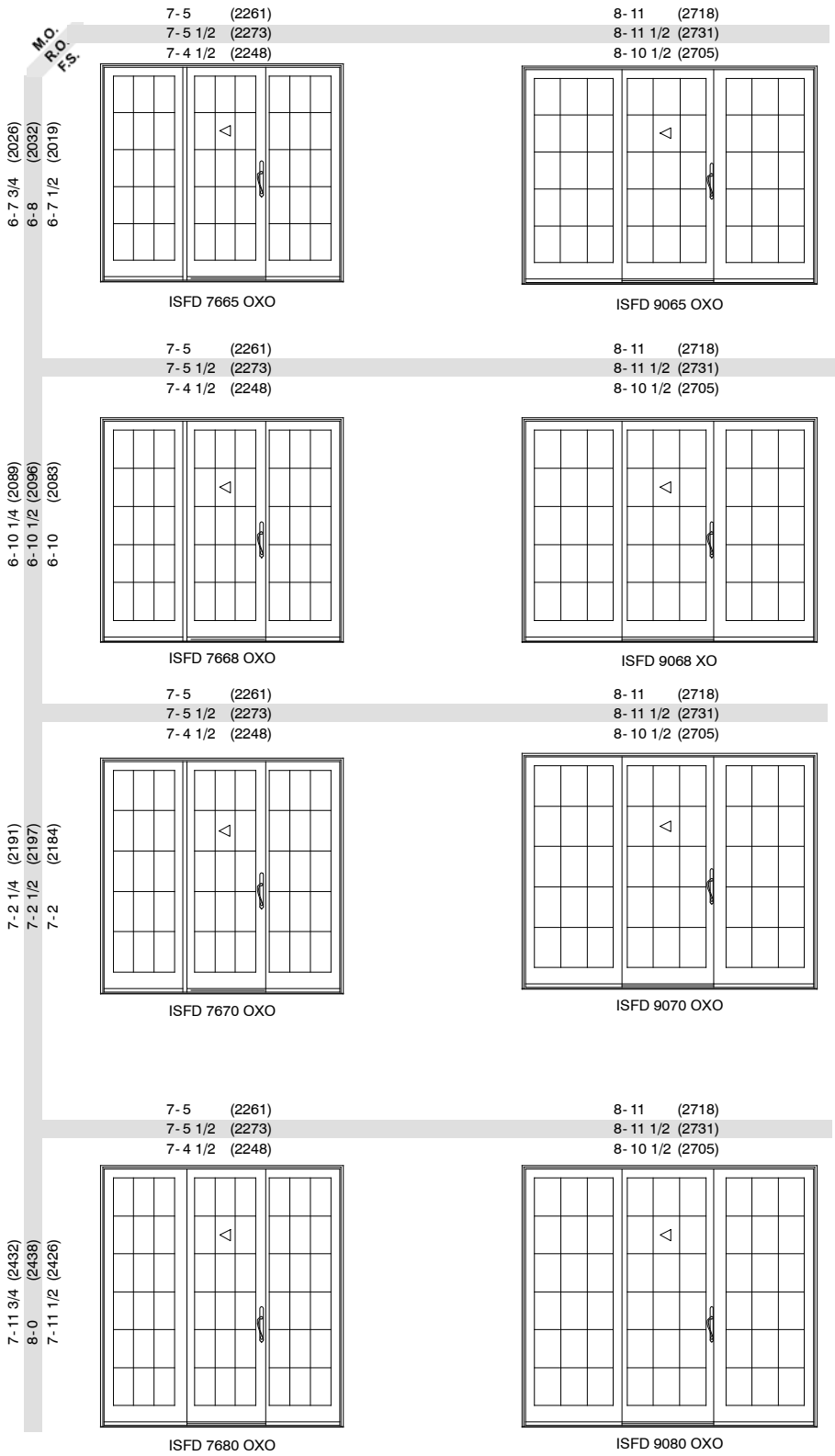
NOTE:

One lite is standard, elevations are shown with rectangular lite pattern. Imperial and metric dimensions are shown metric dimensions are in millimeters. Equal lite cuts also available.



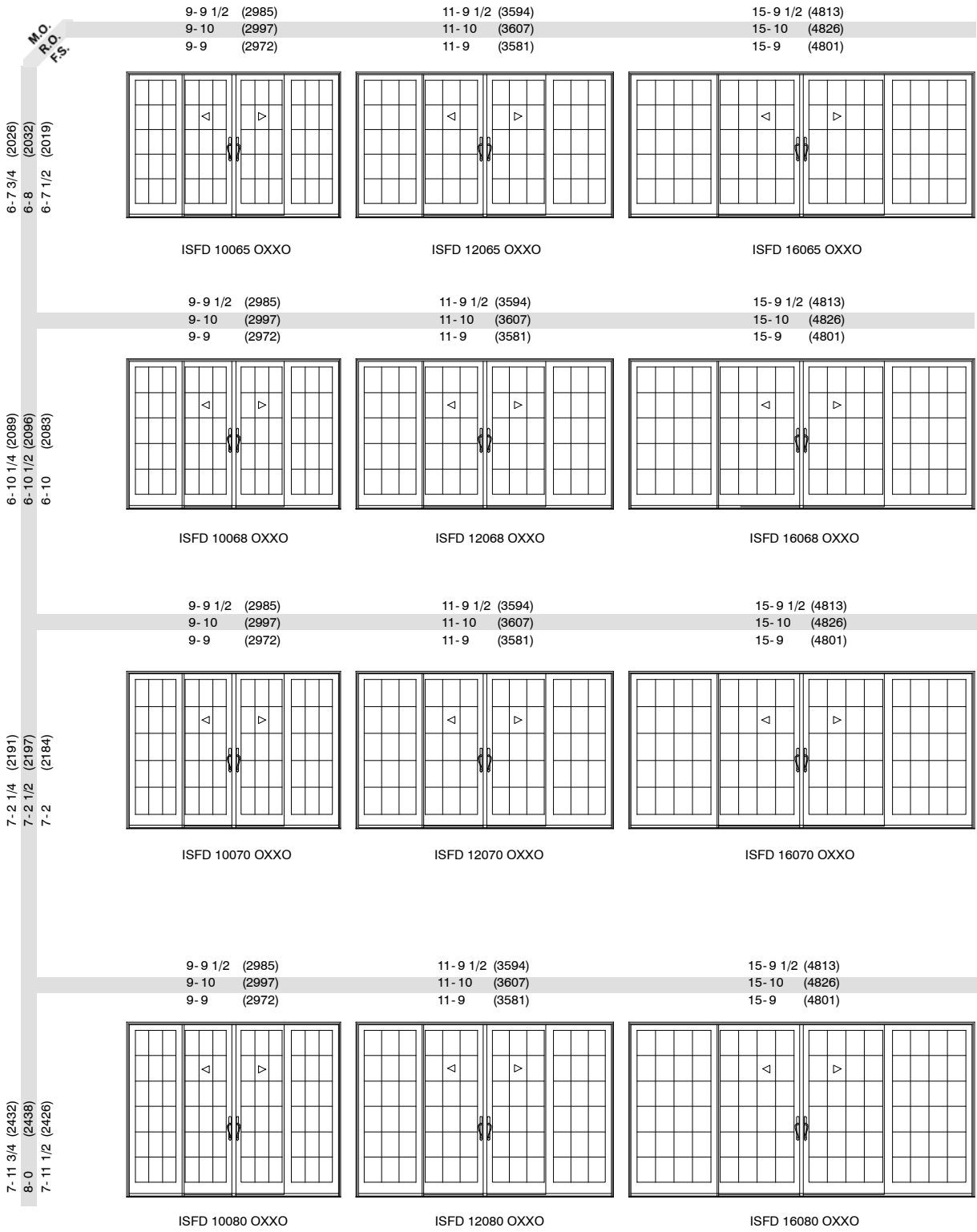
Represents units that are certified for Impact glazing with a wind zone 3.

ELEVATIONS 3 PANEL DOORS Not To Scale



NOTE:
 One lite is standard, elevations are shown with rectangular lite pattern. Imperial and metric dimensions are shown metric dimensions are in millimeters.

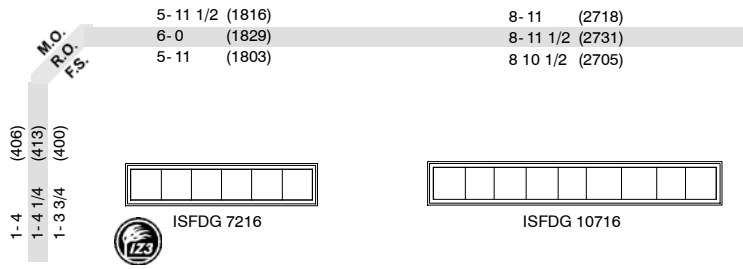
ELEVATIONS 4 PANEL DOORS Not To Scale



NOTE:

One lite is standard, elevations are shown with rectangular lite pattern. Imperial and metric dimensions are shown metric dimensions are in millimeters.

ELEVATIONS TRANSOMS Not To Scale



NOTE:

One lite is standard, elevations are shown with rectangular lite pattern. Round top transoms available for field assembly, refer to round top chapter. Imperial and metric dimensions are shown metric dimensions are in millimeters. Equal lite cuts also available.

NOTE:

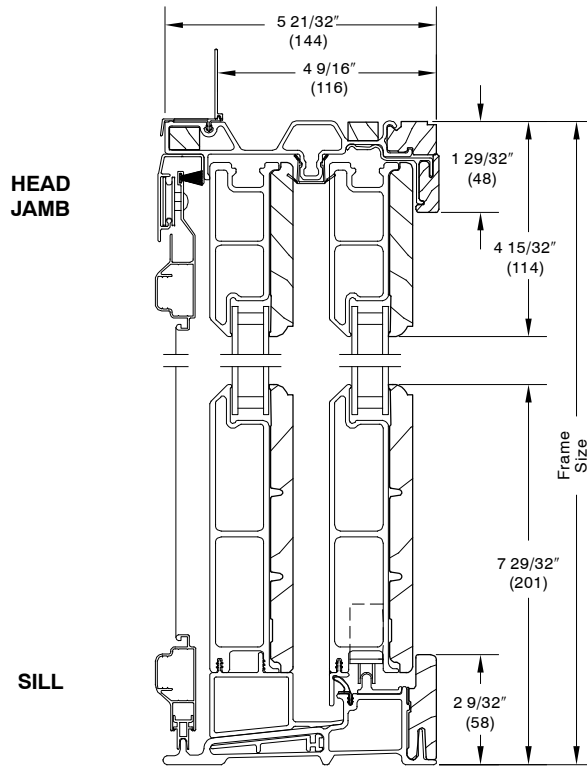
Transoms with SDL or GBG lites may be manufactured to align with pattern below in door. Lite cut of SDL or GBG will only align with lite cut of door it is intended for.



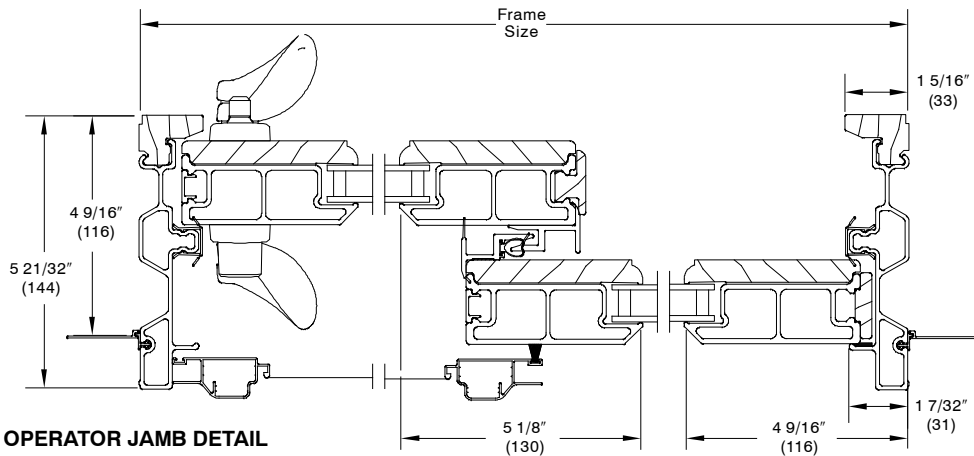
Represents units that are certified for Impact glazing with a wind zone 3.

SECTION DETAILS - 2 and 3 PANEL - 4 9/16" JAMBS Scale 3" = 1' 0"

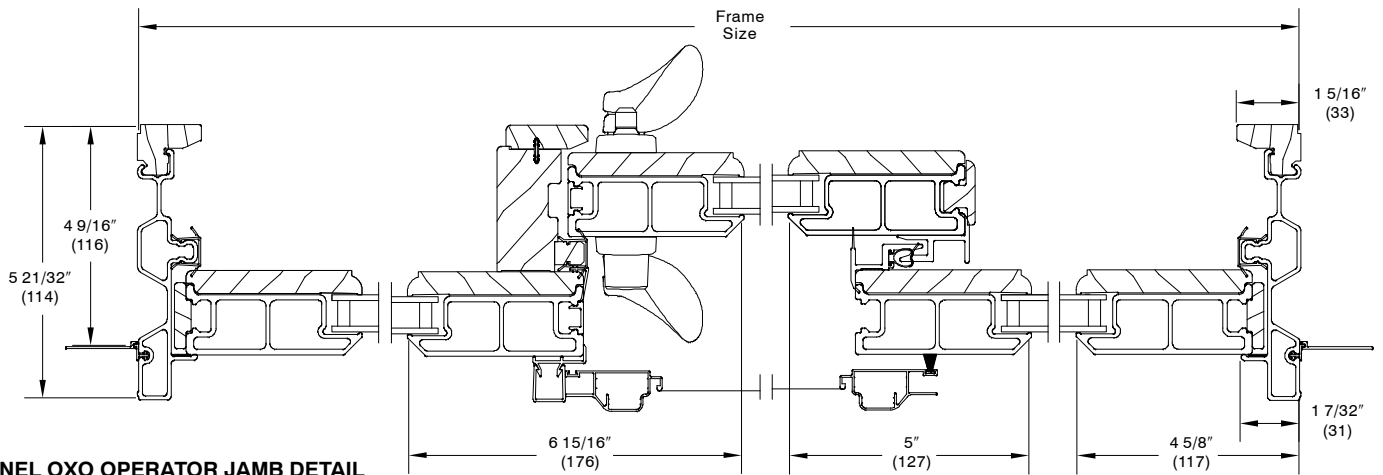
STANDARD GLAZING



2 PANEL XO OPERATOR JAMB DETAIL

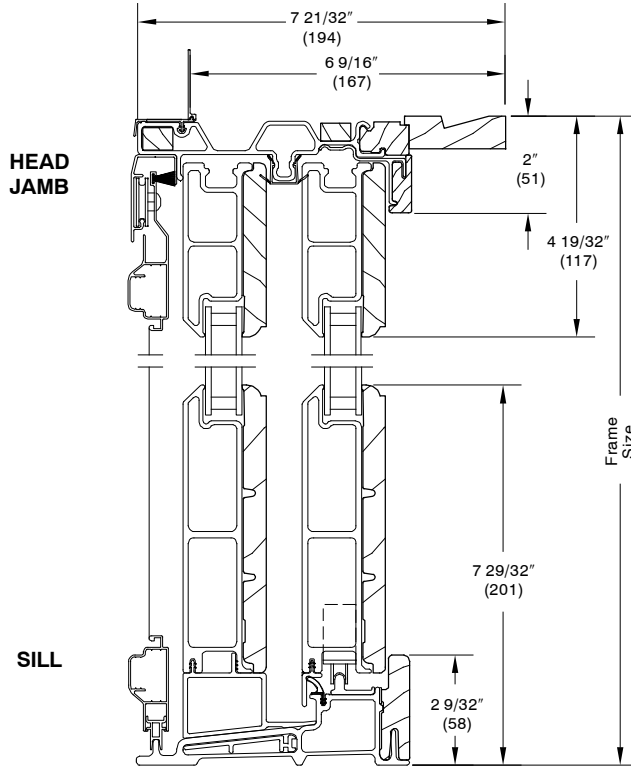


3 PANEL OXO OPERATOR JAMB DETAIL

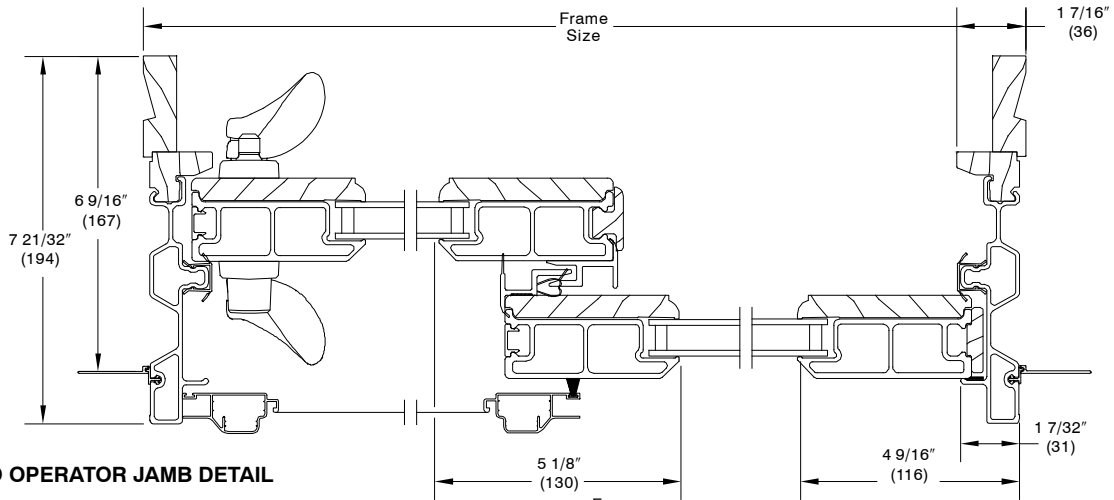


SECTION DETAILS - 2 and 3 PANEL - 6 9/16" JAMBS Scale 3" = 1' 0"

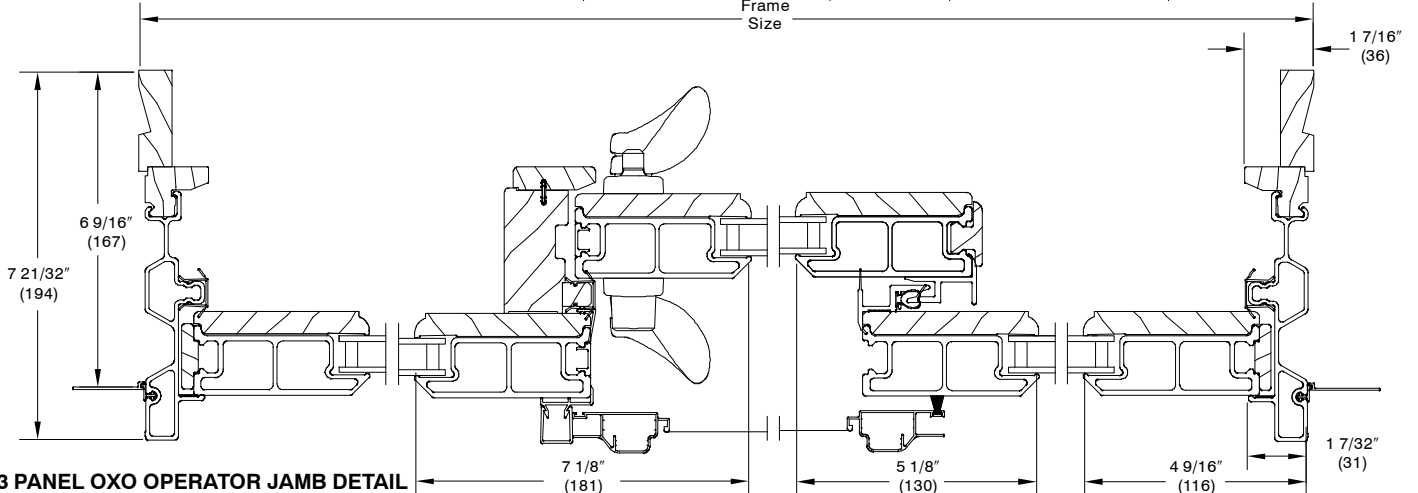
STANDARD GLAZING



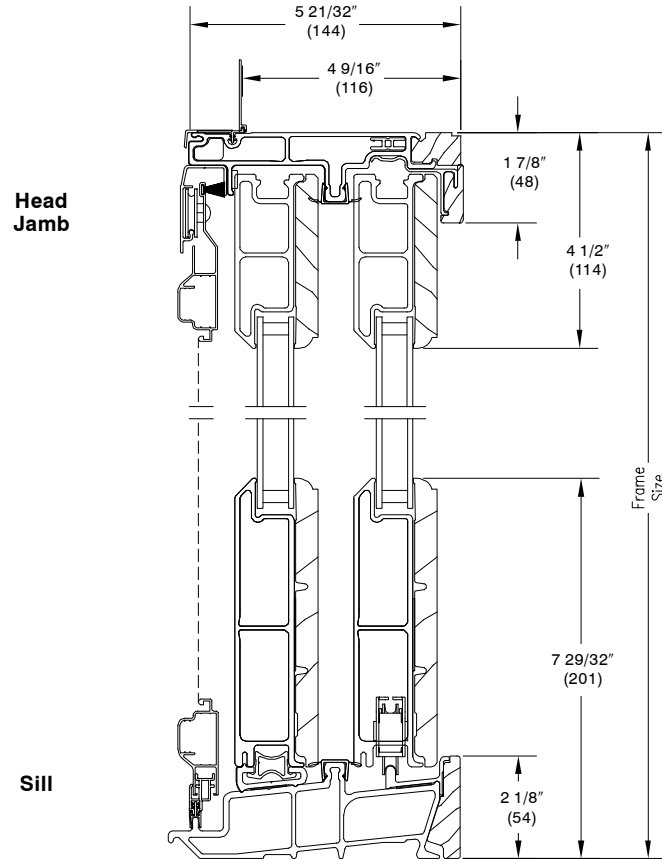
2 PANEL XO OPERATOR JAMB DETAIL



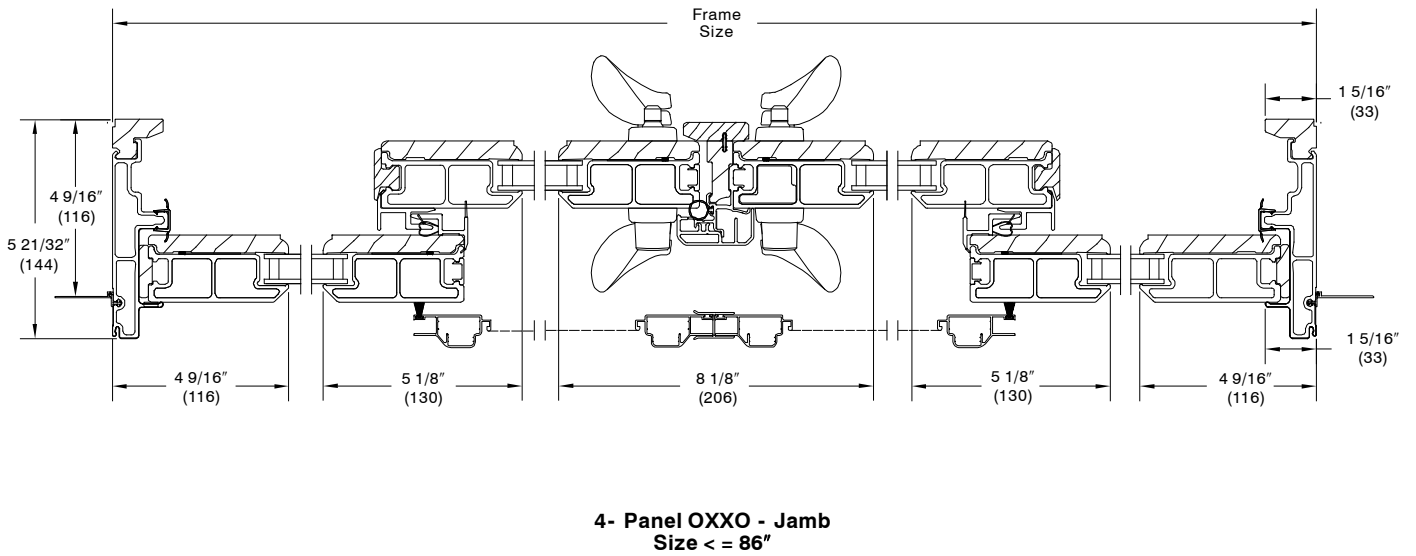
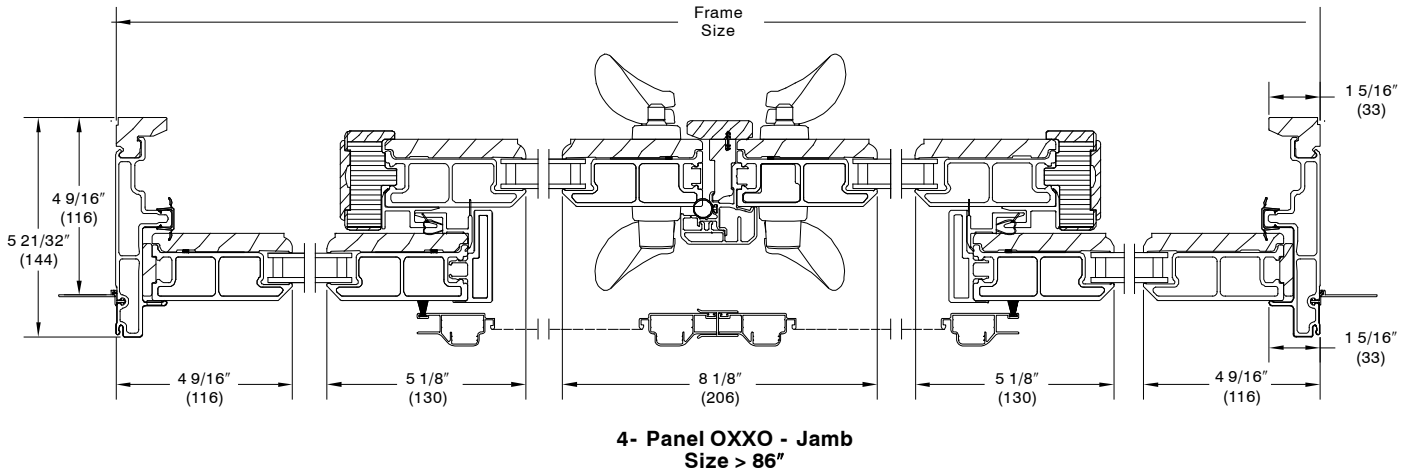
3 PANEL OXO OPERATOR JAMB DETAIL



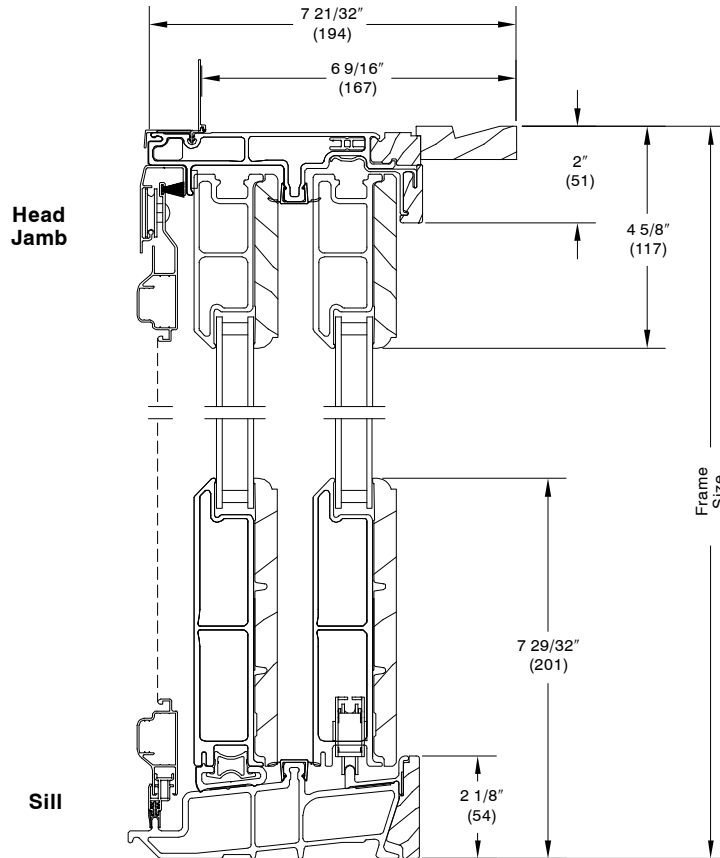
SECTION DETAILS - 4 PANEL DOOR - 4 9/16" JAMBS Scale 3" = 1' 0"



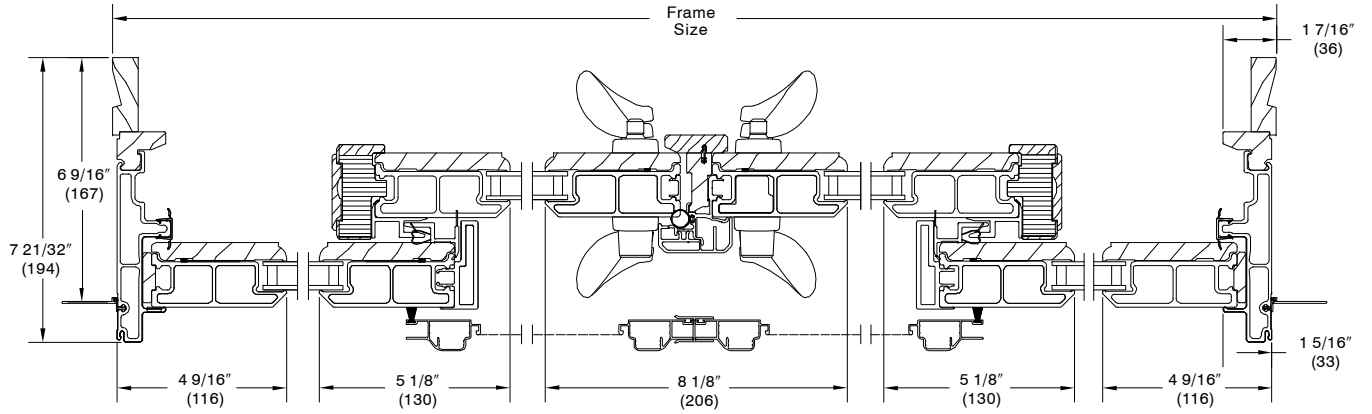
SECTION DETAILS - 4 PANEL - 4 9/16" JAMBS Scale: Not to Scale



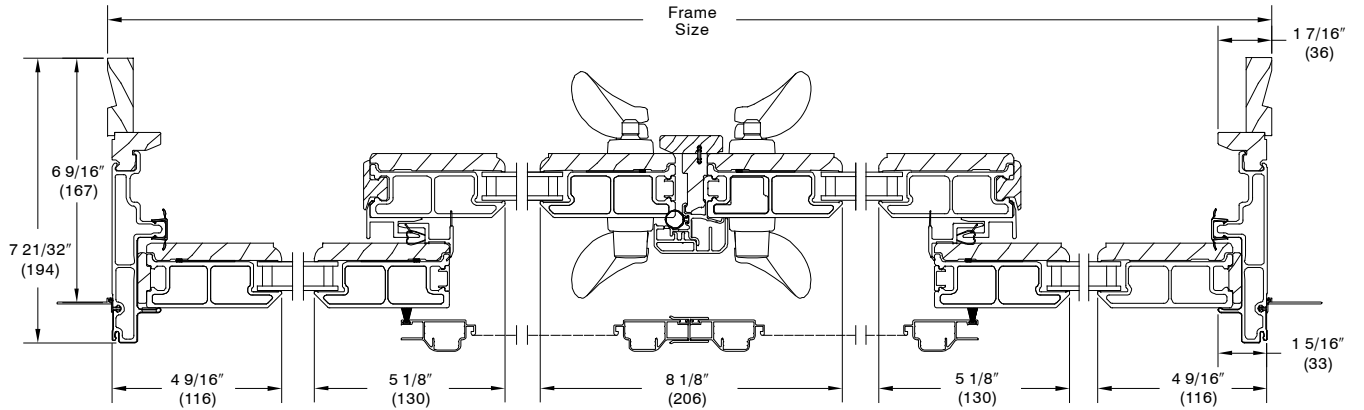
SECTION DETAILS - 4 PANEL - 6 9/16" JAMBS Scale 3" = 1' 0"



SECTION DETAILS - 4 PANEL - 6 9/16" JAMBS Scale: Not to Scale

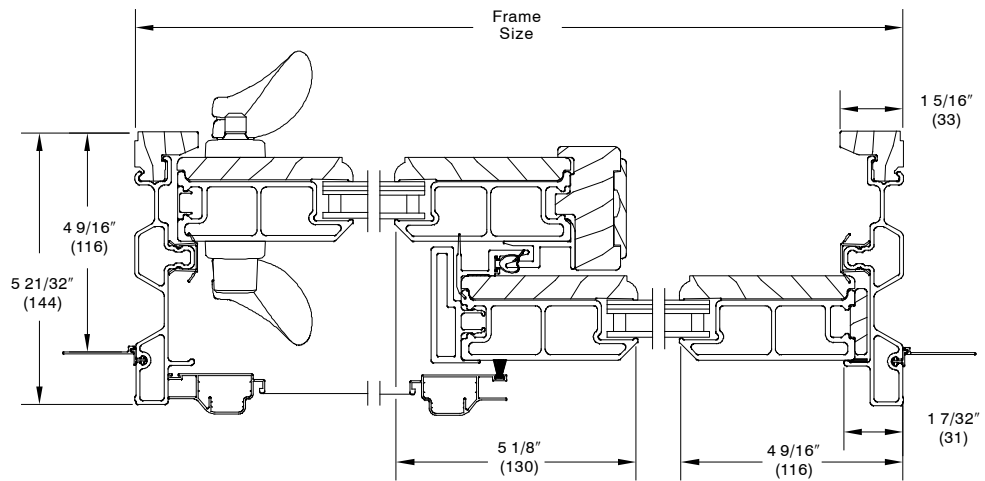
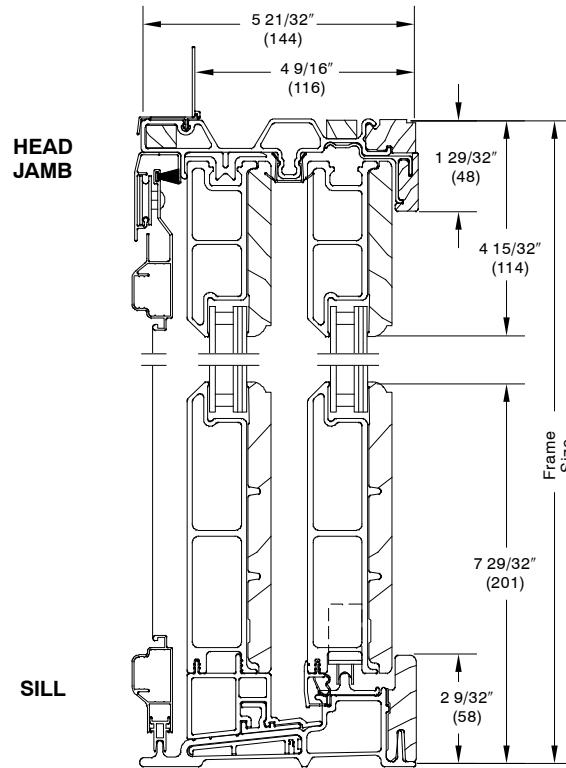


**4- Panel OXXO - Jamb
 Size > 86"**



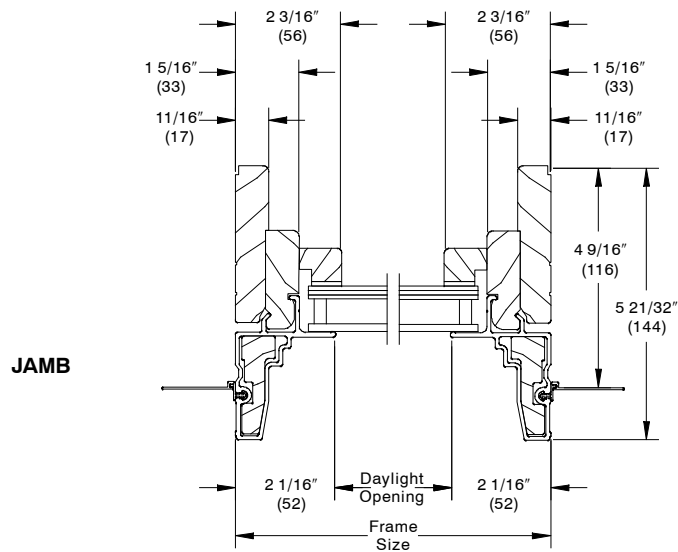
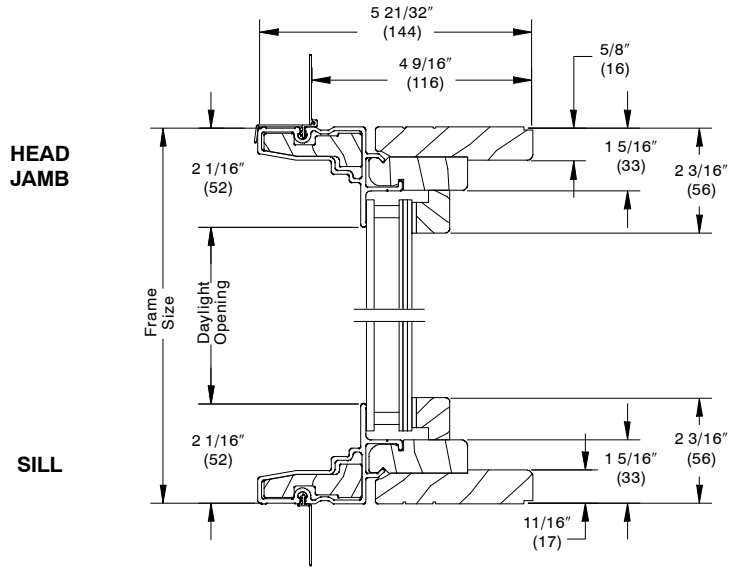
**4- Panel OXXO - Jamb
 Size ≤ 86"**

SECTION DETAILS - 4 9/16" JAMBS - IMPACT GLAZING Scale 3" = 1' 0"

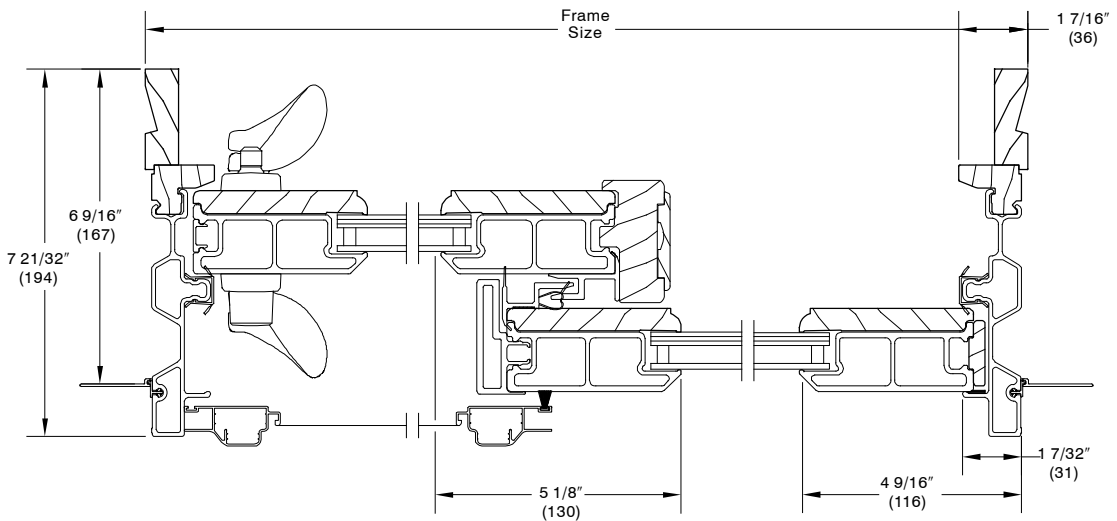
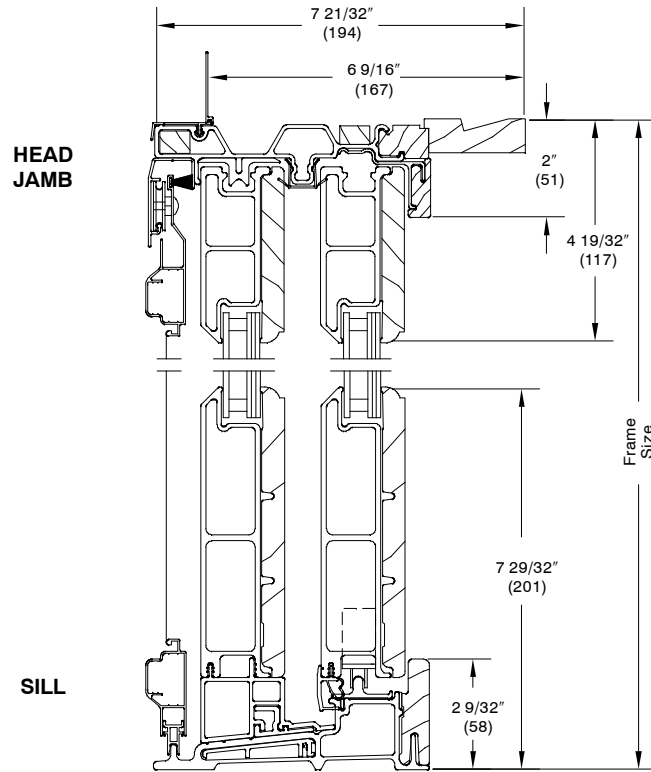


2 PANEL XO OPERATOR JAMB DETAIL

DIRECT GLAZE DOORS
POLYGON STAND ALONE- 4 9/16" - Impact Glazing



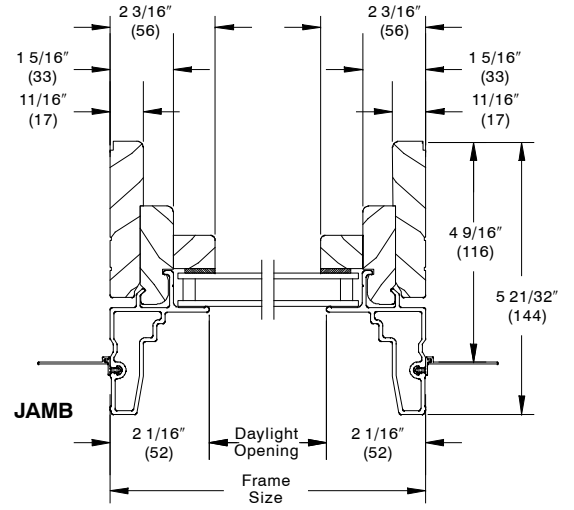
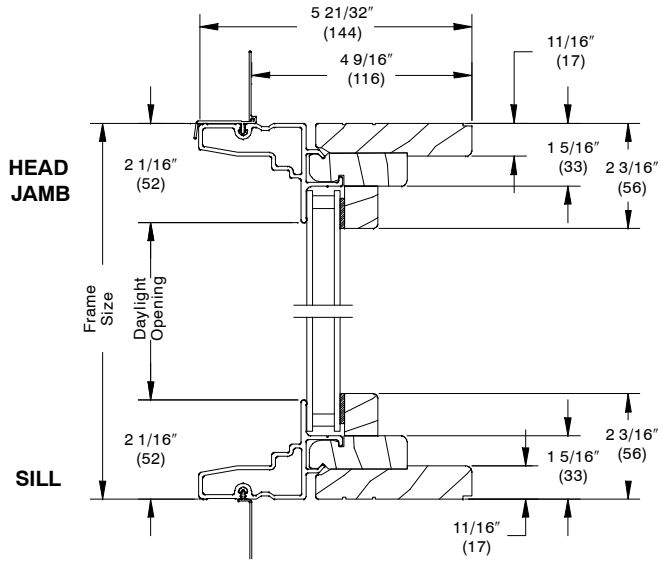
SECTION DETAILS - 6 9/16" JAMBS - IMPACT GLAZING Scale 3" = 1' 0"



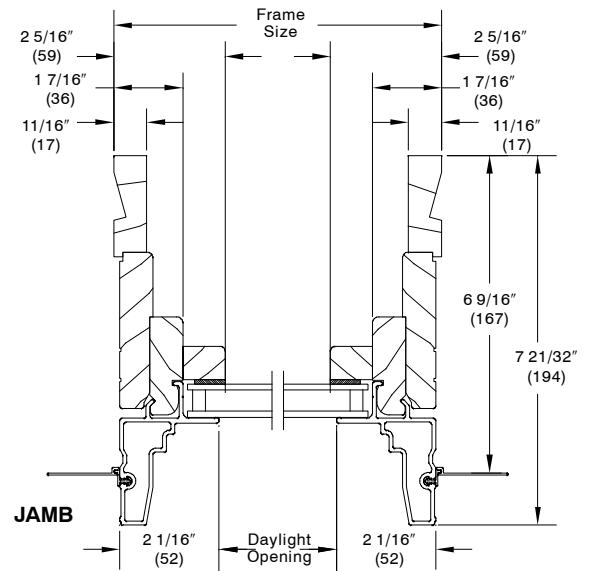
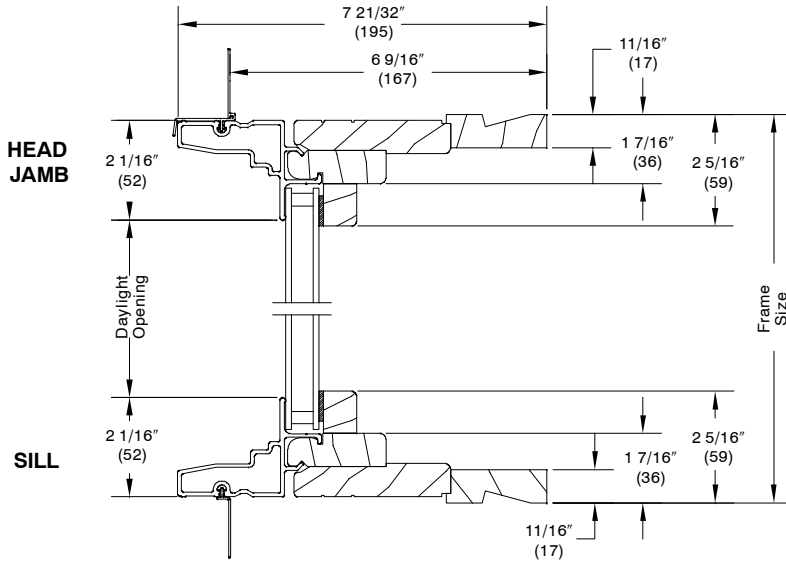
2 PANEL XO OPERATOR JAMB DETAIL

SECTION DETAILS - DIRECT GLAZE TRANSOM AND MULLIONS

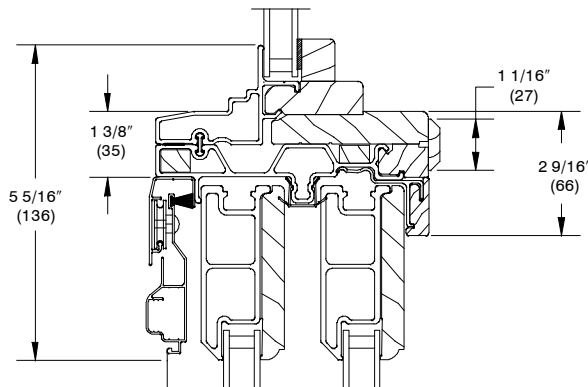
DIRECT GLAZE TRANSOM - 4 9/16" Jamb



DIRECT GLAZE TRANSOM - 6 9/16" Jamb



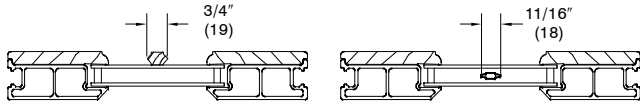
MULLIONS



DIRECT GLAZE TRANSOM OVER SLIDING FRENCH DOOR

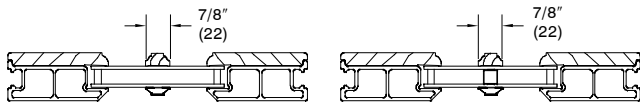
SECTION DETAILS - DIVIDED LITE OPTIONS

DIVIDED LITE OPTIONS



WOOD REMOVABLE GRILLE

ALUMINUM GRILLE BETWEEN GLASS

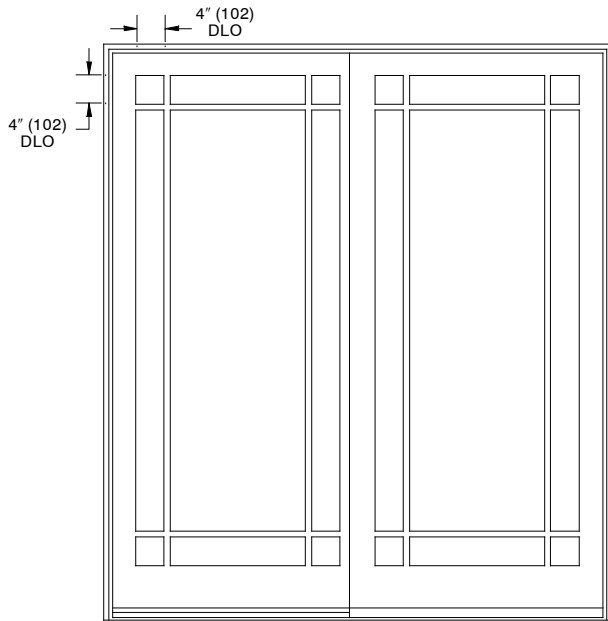
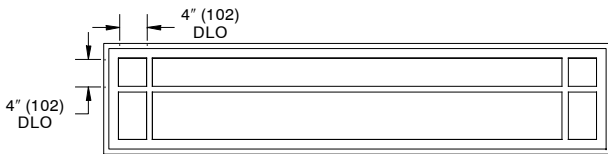


SIMULATED DIVIDED LITE

SIMULATED DIVIDED LITE WITH SPACER BAR

GBG or SDL (SDL SHOWN)

* 6 lite prairie lite cuts on ISFDG 7216 or ISFDG 10716 due to height limitations. GBGs not available in ISFDG 10716.

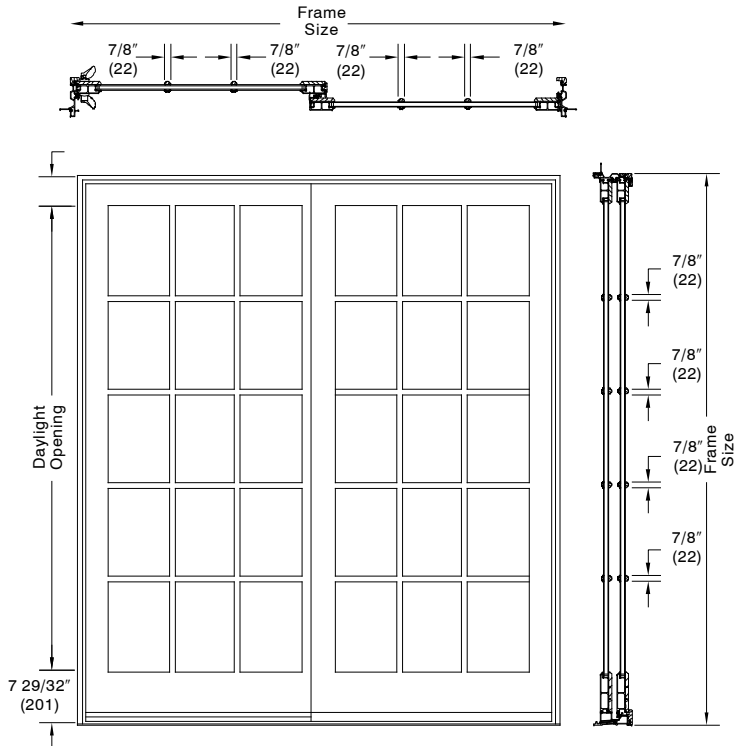


NOTE: * Optional 9 lite per panel Prairie cut GBG or SDL.

Conversion Formula per panel:

$$\frac{\text{Total DLO} - \text{Total bar width}}{\text{Number of lites}} = \text{Individual DLO}$$

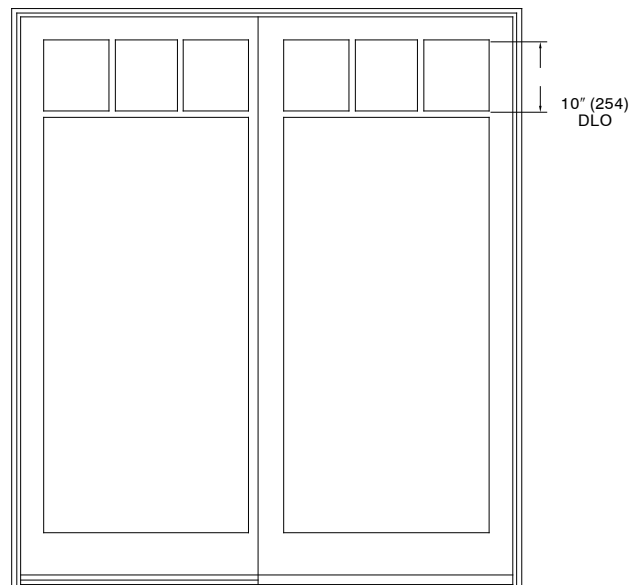
RECTANGLE SDL EXAMPLE SHOWN



COTTAGE LITE CUT

* Horizontal bar is placed at 10" (254) daylight opening.

* Only available in SDL.



NOTE: Note: GBGs are not available on Impact IZ3 units.

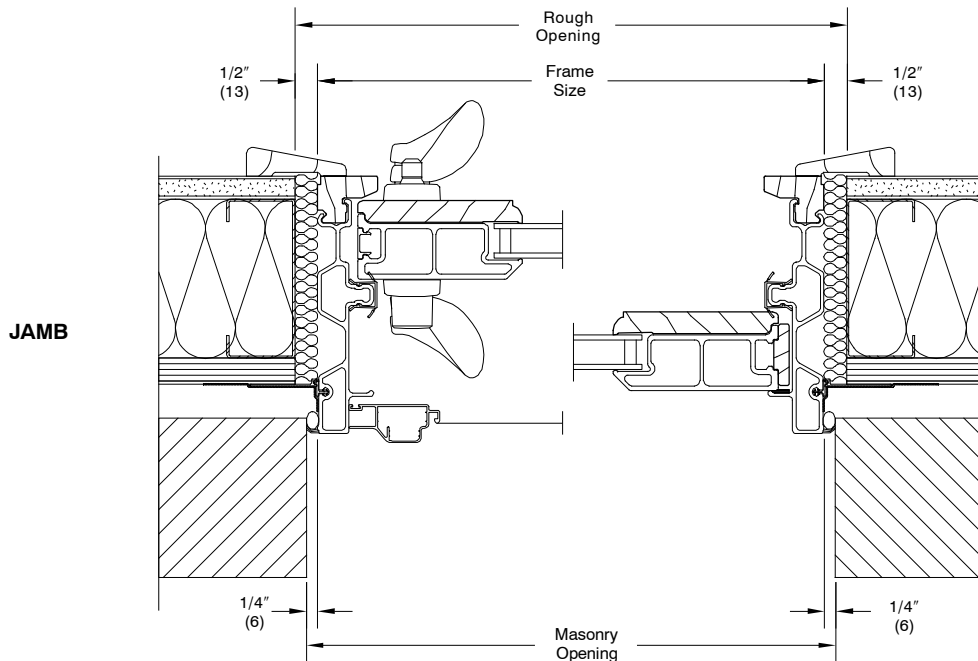
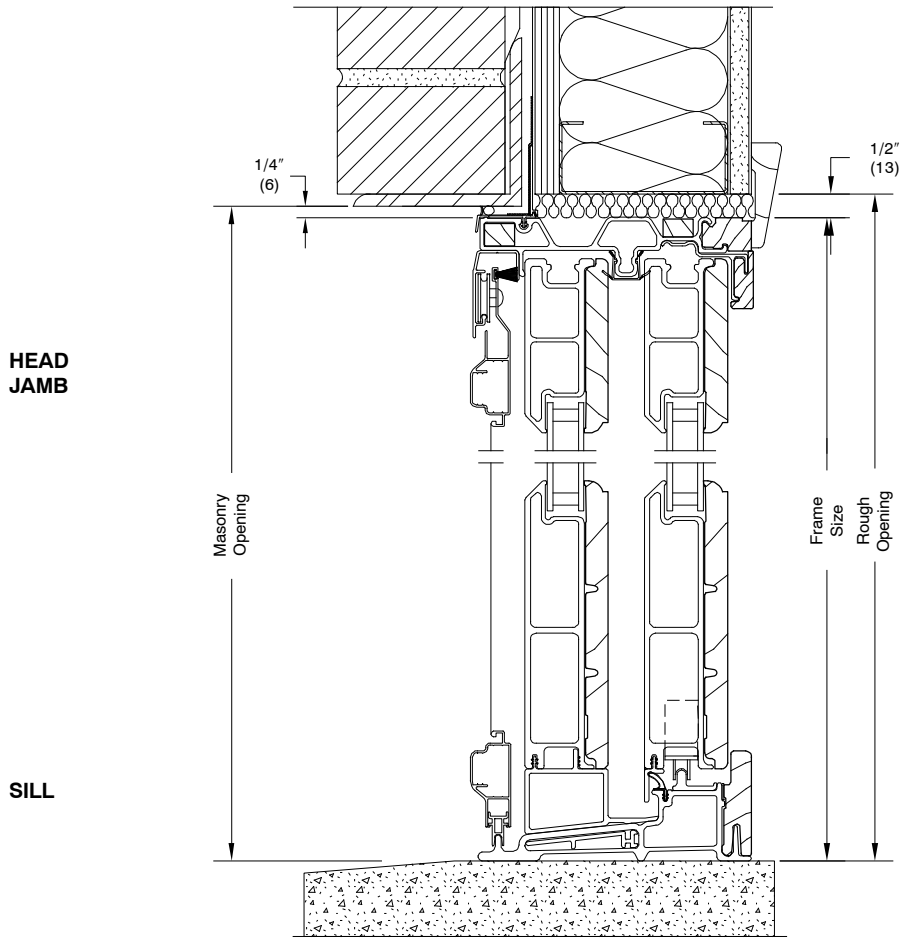
NOTE: Note: SDL with Spacer Bar are not available on Impact IZ3 units

AVAILABLE DIVIDED LITE PATTERNS

Call Number	Rectangular				Prairie			Cottage
	Wood Grille	GBG, SDL, and SDLS			GBG	SDL	SDLS	SDL and SDLS
5065/7665/10065	3W5H	3W5H	2W5H	Equal Rectangular Lites	9- Lite	9- Lite	9- Lite	4- Lite
6065/9065/12065	3W5H	3W5H	2W5H	Equal Rectangular Lites	9- Lite	9- Lite	9- Lite	4- Lite
8065/16065	4W5H	4W5H	2W5H	Equal Rectangular Lites	9- Lite	9- Lite	9- Lite	5- Lite
5068/7668/10068	3W5H	3W5H	2W5H	Equal Rectangular Lites	9- Lite	9- Lite	9- Lite	4- Lite
6068/9068/12068	3W5H	3W5H	2W5H	Equal Rectangular Lites	9- Lite	9- Lite	9- Lite	4- Lite
8068/16068	4W5H	4W5H	2W5H	Equal Rectangular Lites	9- Lite	9- Lite	9- Lite	5- Lite
5070/7670/10070	3W5H	3W5H	2W5H	Equal Rectangular Lites	9- Lite	9- Lite	9- Lite	4- Lite
6070/9070/12070	3W5H	3W5H	2W5H	Equal Rectangular Lites	9- Lite	9- Lite	9- Lite	4- Lite
8070/16070	4W5H	4W5H	2W5H	Equal Rectangular Lites	9- Lite	9- Lite	9- Lite	5- Lite
5080/7680/10080	3W6H	3W6H	2W6H	Equal Rectangular Lites	N/A	9- Lite	N/A	4- Lite
6080/9080/12080	3W6H	3W6H	2W6H	Equal Rectangular Lites	N/A	9- Lite	N/A	4- Lite
8080/16080	4W6H	4W6H	2W6H	Equal Rectangular Lites	N/A	9- Lite	N/A	5- Lite
Direct Glaze Transom- Per Unit								
7216	6W1H	6W1H	4W1H	Equal Rectangular Lites	6- Lite Top	6- Lite Top	6- Lite Top	N/A
10716	9W1H	9W1H	6W1H	Equal Rectangular Lites	N/A	N/A	N/A	N/A

Notes:

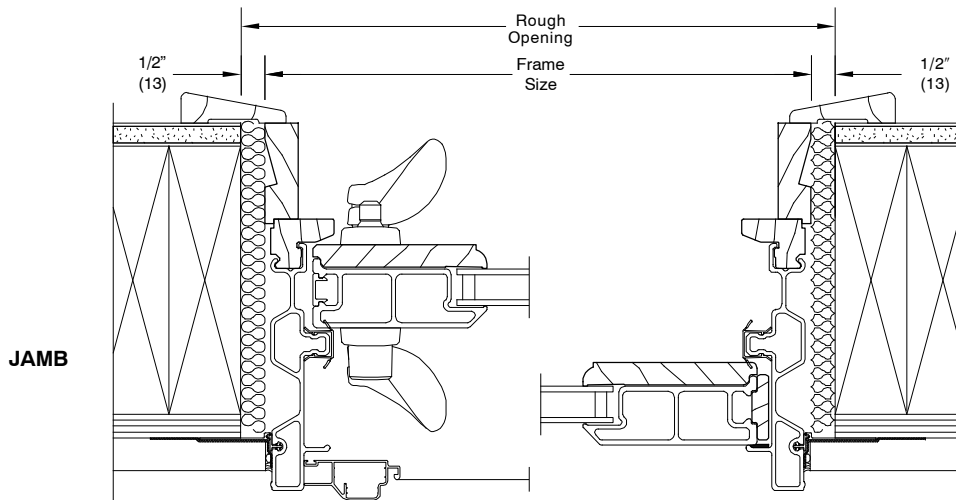
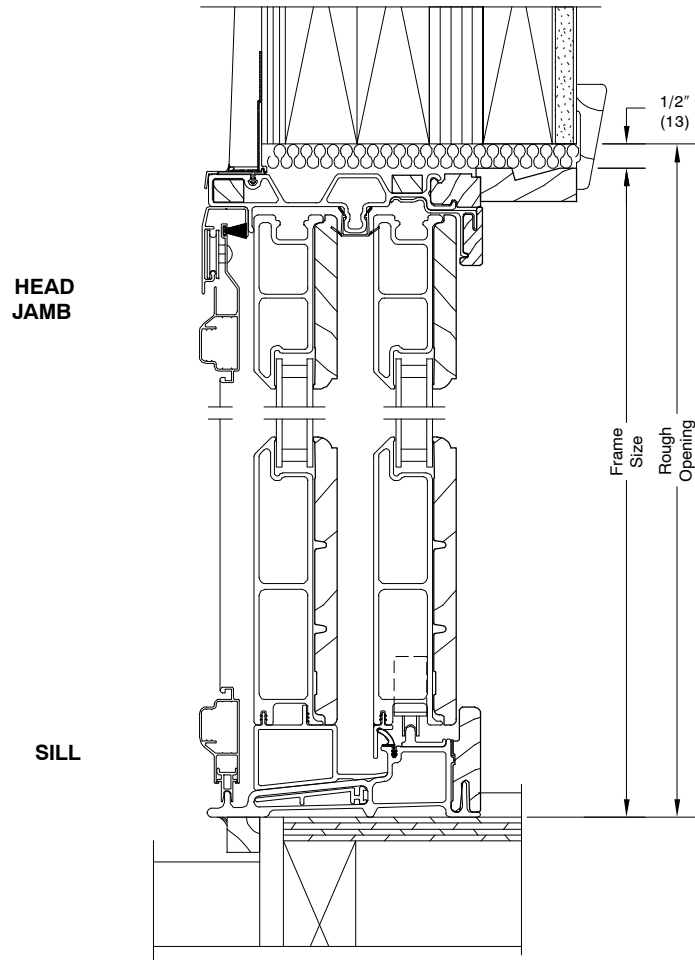
- Direct Glaze Transoms with GBGs or SDL will only align with the cut of the door it is intended to be mulled with and may not have equally spaced lites unless otherwise indicated. For alternative GBG or SDL lite alignment, order a Direct Glaze Rectangle with the divided lite option.
- An ISFDDG 7216 with GBGs or SDL will align over an ISFD CN60 width only.
- An ISFDDG 10716 is available field- mulled or stand- alone only. Rectangular GBGs or SDL in a field- mulled ISFDDG 10716 will align over an ISFD 9065, 9068, 9070, OR 9080 only. Rectangular GBGs or SDL in a stand- alone ISFDDG 10716 will be equally spaced.
- GBGs and SDLS are not available on Impact products. GBG and SDLS are not available for prairie lite cut patterns with an unsupported bar length > 72"



BRICK VENEER WITH STEEL FRAME CONSTRUCTION

NOTE:

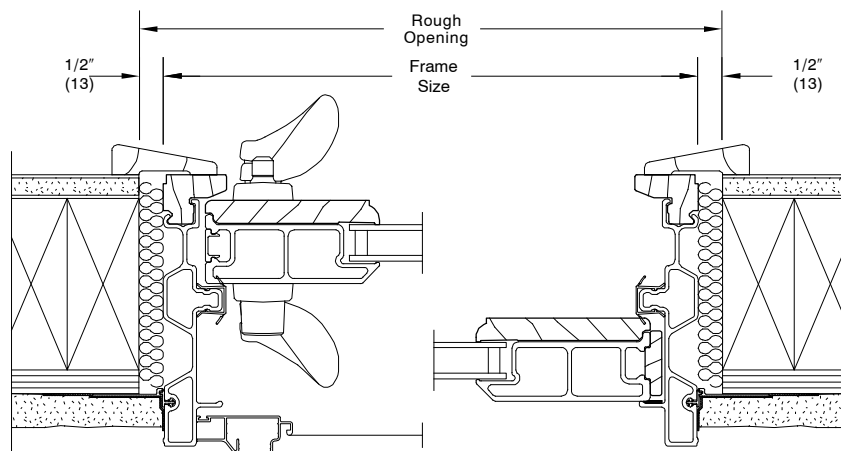
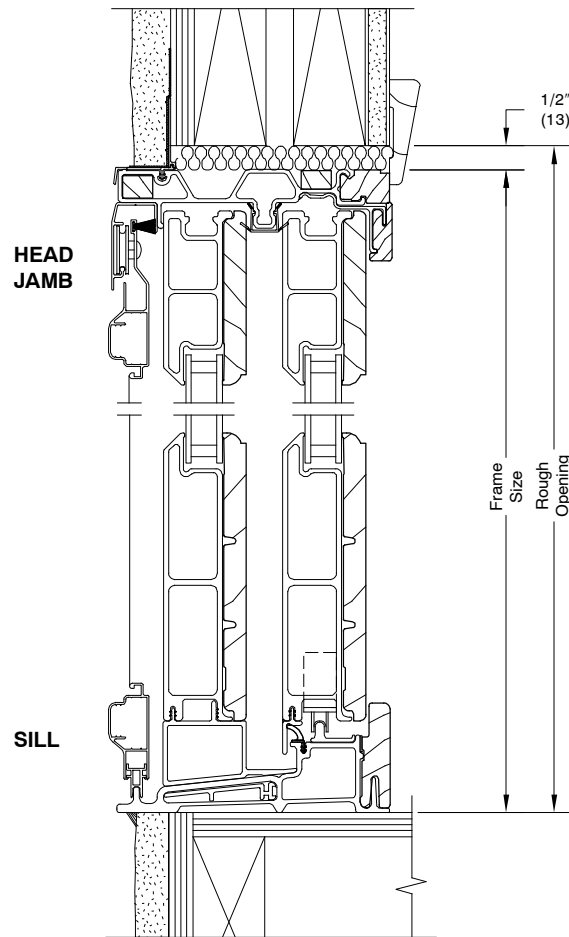
The above wall sections represent typical wall conditions, these details are not intended as installation instructions. Please refer to the installation instructions provided with the purchased units.



WOOD SIDING WITH 2X6 FRAME CONSTRUCTION

NOTE:

The above wall sections represent typical wall conditions, these details are not intended as installation instructions. Please refer to the installation instructions provided with the purchased units.



STUCCO WITH 2X4 FRAME CONSTRUCTION

NOTE:

The above wall sections represent typical wall conditions, these details are not intended as installation instructions. Please refer to the installation instructions provided with the purchased units.